

Sign System "Louvre"

Glass system signs. Includes two glasses 3mm thickness. Includes:

- Aluminium profile (1 or 2).
- Two 3mm thickness glasses.
- Plastic endcaps.
- Screw key.

* Indoor use: shops, office, etc.

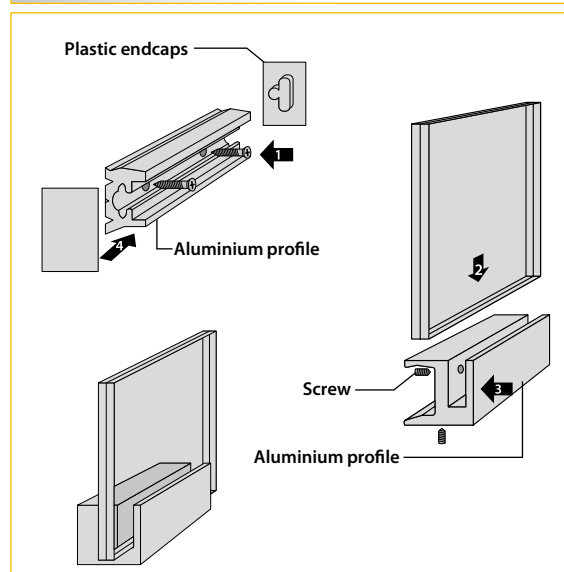
* Easy and quick to assemble.

Material: Aluminium, glass, plastic parts.



Install explain:

1. Firstly, fasten the groove with screws to the place where you want to set.
2. Secondly, clamp the glass into the aluminium alloy groove.
3. Fix and fasten the two grooves together with screws.
4. Stick the two overs into both end.



Simple Profile

15.571		105x105mm	
15.572		105x149mm	
15.573		149x105mm	
15.574		149x149mm	
15.575		149x210mm	
15.576		210x149mm	
15.577		297x105mm	
15.578		297x149mm	
15.579		297x210mm	
15.580		420x149mm	
15.581		594x149mm	
15.582		840x149mm	
15.583		840x210mm	

Double Profile

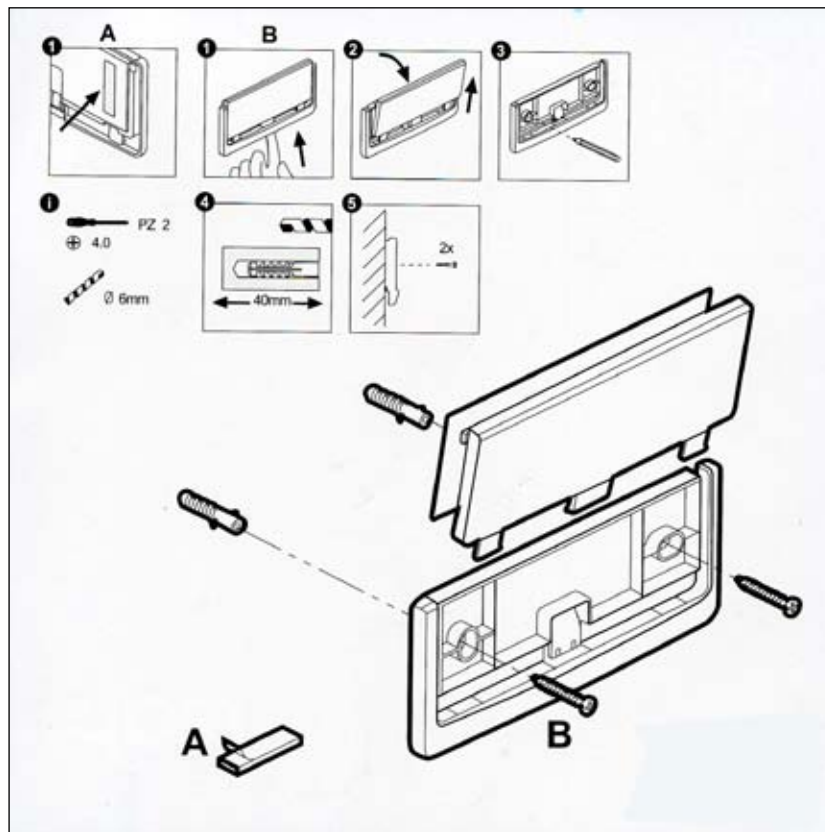
15.584		210x297mm	
15.585		297x420mm	
15.586		297x594mm	
15.587		420x297mm	
15.588		594x420mm	
15.589		840x149mm	
15.590		594x840mm	

Sign System Data Frame

Sign system with plastic profile. Available in three different sizes.
Easy and quick to change the information graphic paper.

Material: Plastic.

15.200		149x63mm	
15.201		149x105.5mm	
15.202		149x148.5mm	



Sing System Straight-Curve

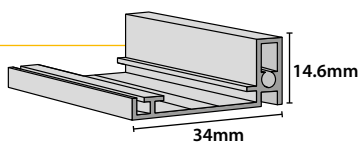
Aluminium wall signs. STRAIGHT (Bargello) or CURVE (Orsay) aluminium lateral profile. Complete kits. Includes:

- STRAIGHT or CURVE lateral aluminium profile.
- Plastic pieces for fixing.
- Aluminium straight sign profile.
- Plastic endcaps.

* Indoor use: office, bathroom, building, etc.
* Easy and quick to assemble.

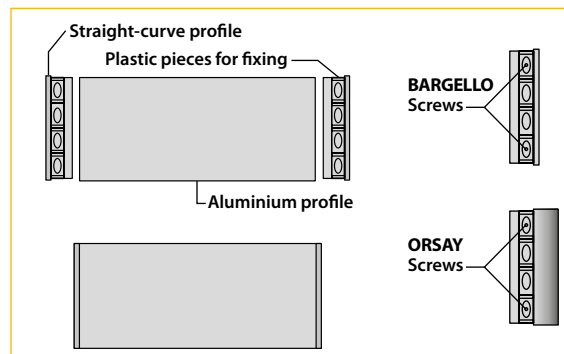
Material: Aluminium, plastic parts.

Bargello

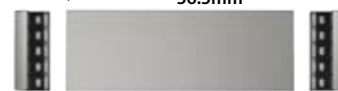
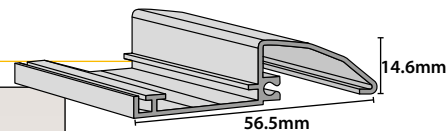
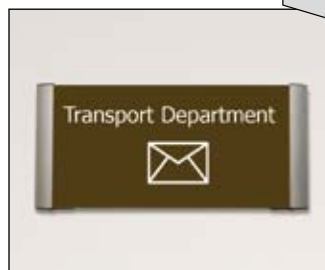


Install explain:

1. Make holes in the oval plastic pieces there are in the covers side. (If you will fix with double face adhesive don't make this step).
2. Fix and fasten the groove with screws.
3. Push the aluminium pictogram over the lateral profiles.



Orsay



15.634	60x120mm	
15.635	60x220mm	
15.636	60x300mm	
15.637	90x150mm	
15.638	90x220mm	
15.639	90x300mm	
15.668	124x120mm	
15.640	124x150mm	
15.641	124x220mm	
15.642	124x300mm	
15.670	150x150mm	
15.643	150x220mm	
15.644	150x300mm	
15.645	150x400mm	
15.672	180x180mm	
15.646	60x500mm	
15.647	90x500mm	
15.648	124x500mm	
15.649	150x500mm	
15.650	180x500mm	

15.651	60X120mm	
15.652	60x220mm	
15.653	60x300mm	
15.654	90x150mm	
15.655	90x220mm	
15.656	90x300mm	
15.657	124x150mm	
15.658	124x220mm	
15.659	124x300mm	
15.660	150x220mm	
15.661	150x300mm	
15.662	150x400mm	
15.663	60x500mm	
15.664	90x500mm	
15.665	124x500mm	
15.666	150x500mm	
15.667	180x500mm	

Sign System Curve "Hermitage"

Aluminium wall sign "CURVE". Different sizes are available.

Complete kits. Includes:

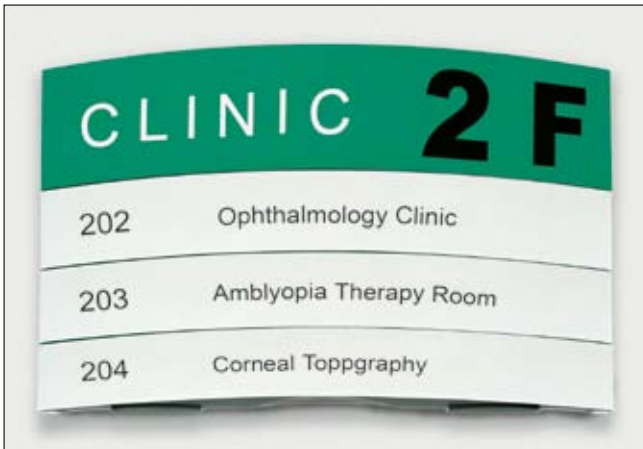
- * Aluminium curve sign profile.
- * Indoor use: office, building, shops, etc.
- * Easy and quick to assemble.

Material: Aluminium, plastic parts.



15.696	70x215mm	
15.697	70x270mm	
15.698	70x425mm	
15.699	70x530mm	
15.700	70x600mm	
15.701	140x215mm	
15.702	140x270mm	
15.703	140x425mm	
15.704	140x530mm	
15.705	140x600mm	

15.706	210x215mm	
15.707	210x270mm	
15.708	210x425mm	
15.709	210x530mm	
15.710	210x600mm	
15.711	245x215mm	
15.712	245x270mm	
15.713	245x425mm	
15.714	245x530mm	
15.715	245x600mm	



Profile (Price for linear meter)



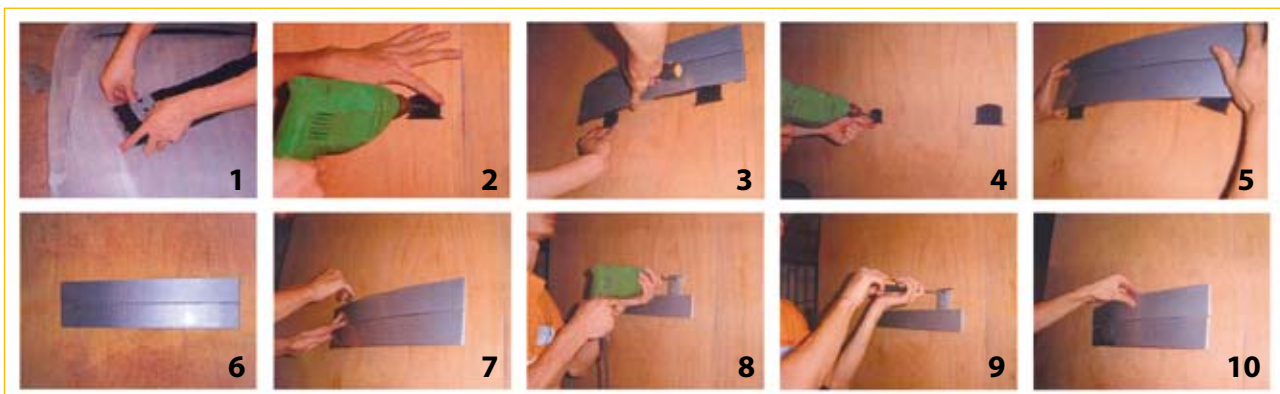
If you need make a own directory, we have a aluminium profile that facilitates their assembly. This profile replacing those that are included in each kit in his back side and allows fix several curve sign with only one aluminium profile. Price for linear meter.

Material: Aluminium.

15.718	60mm	
--------	------	--

Install explain:

1. Using the covers of the directory as a reference point for fixing. (Fig. 1 and 2).
2. The size of the directory will give us the distance to set the second support. (Fig. 3 and 4).
3. Check the position. (Fig. 5 and 6).
4. Mark the top distance and set the following covers and profile. (Fig. 7, 8 and 9).
5. For finish, put the insurance. (Fig. 10).



Sign System Curve "Beyeler"

Sign system with curve profile. Available in 3 different widths. This system allows the composition of directories wall according to customer needs. The components of the system are supplied separately.

Material: Aluminium, plastic parts.

Aluminium sign profile

Price for linear meter. (Includes plastic protector).

Material: Aluminium.

10.224	60mm	
10.225	90mm	
10.226	140mm	

Profile Cut

10.233	
--------	--



Accessories

Plastic Endcaps for 60mm profiles

10.227	<input type="checkbox"/>	Pack 10 Uni.	
10.230	<input checked="" type="checkbox"/>	Pack 10 Uni.	

Plastic Endcaps for 90mm profiles

10.228	<input type="checkbox"/>	Pack 10 Uni.	
10.231	<input checked="" type="checkbox"/>	Pack 10 Uni.	

Plastic Endcaps for 140mm profiles

10.229	<input type="checkbox"/>	Pack 10 Uni.	
10.232	<input checked="" type="checkbox"/>	Pack 10 Uni.	



Sign System Curve "Special"

Curved profile wall "Special" with silver anodised aluminium frame. Includes transparent sleeve allows you to add paper with text or pictograms. Complete kits. Fixing by screws or double face adhesive.

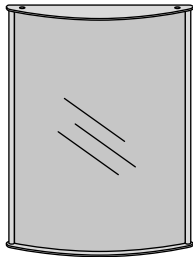
Includes:

- Curved aluminium profile.
- Two plastic endcaps.
- Aluminium directory.

* Indoor use: office, warehouse, shops, etc.

* Easy and quick to assemble.

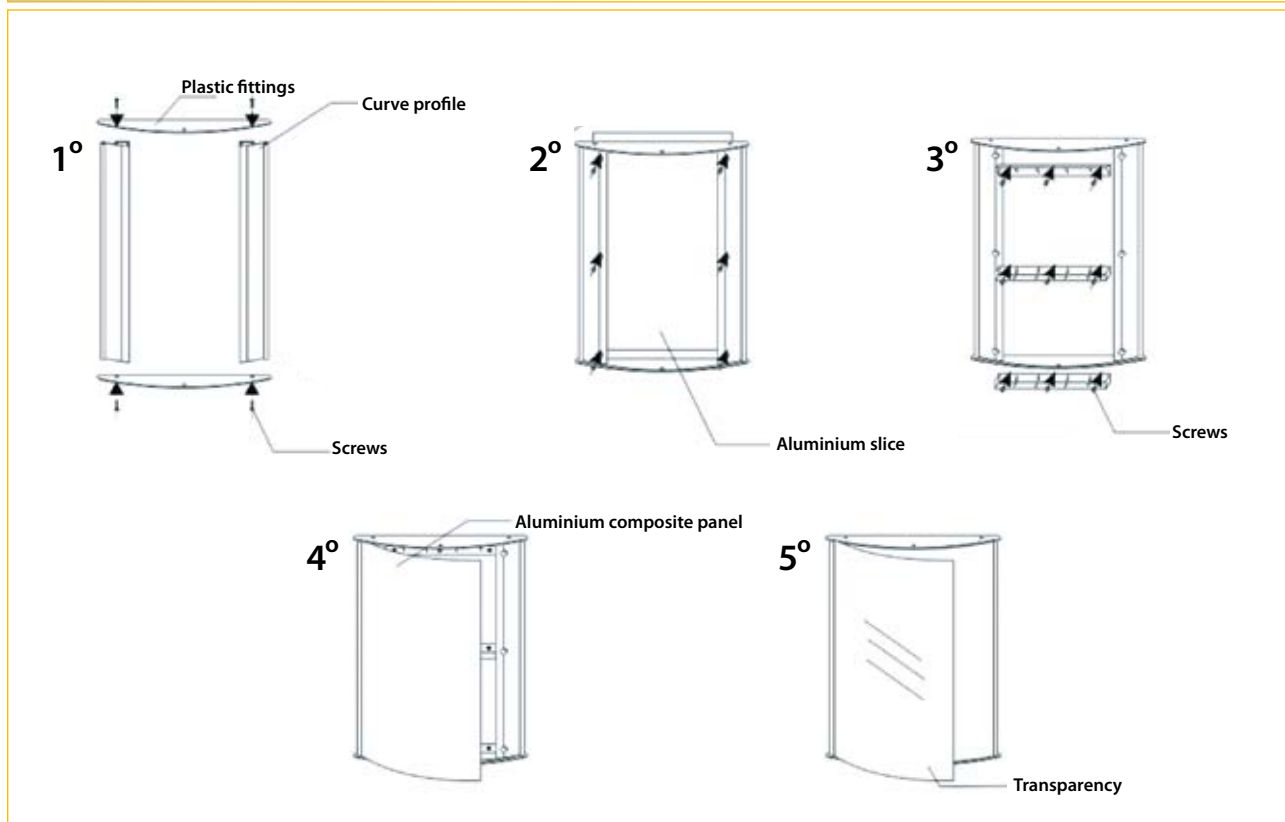
Material: Aluminium, plastic parts.



15.614	200x200mm	
15.615	200x250mm	
15.616	200x300mm	
15.617	300x400mm	
15.618	500x500mm	

Install explain:

1. Fix the aluminium alloy arc, aluminium slice and plastic fittings together by screws, then fix on the place where you need.
2. Conglutinate transparency to aluminium-plastic composite panel.
3. Put the hitch plastic fittings and main faceplate together.



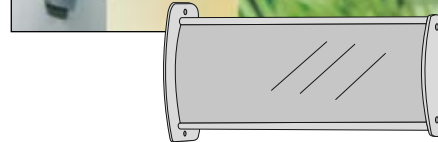
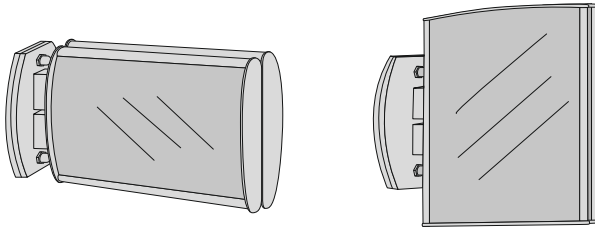
Curve Flag Sign

Curve flag sign. Aluminium double sided flag wall. Mount any projected wall sign with screws. Complete kits. Includes:

- Aluminium double sided profile.
- Aluminium fittings.
- Plastic endcaps.
- Transparent sleeve.

* Indoor use: office building, shops, public places, etc.
* Easy and quick to assemble. Screws not included.

Material: Aluminium, plastic parts.



Curve Flag Sign (with separator)

15.619	115x150mm	
15.620	115x180mm	
15.621	115x220mm	
15.625	150x150mm	
15.626	150x180mm	
15.622	150x115mm	
15.623	180x115mm	
15.624	220x115mm	
15.627	180x150mm	
15.628	200x150mm	

Curve Flag Sign (direct to wall)

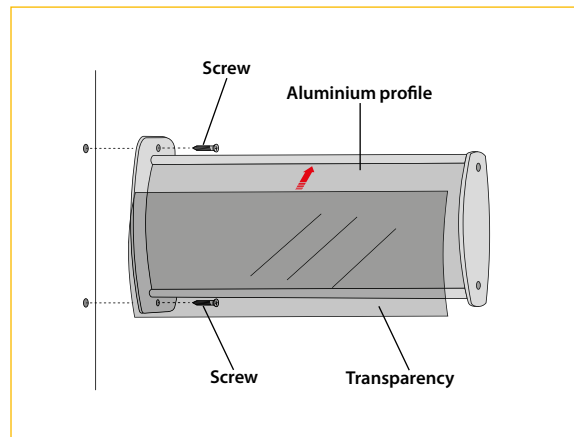
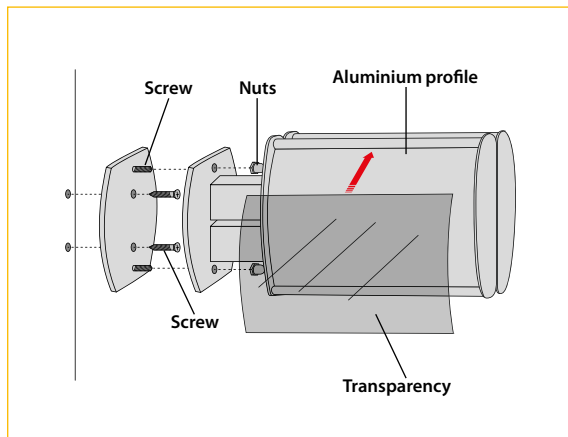
15.629	115x220mm	
15.630	115x280mm	
15.631	115x300mm	
15.632	150x150mm	
15.633	150x250mm	

Install explain(with separator):

1. Fix arc aluminium double-sided sign bottom and faceplate together.
2. Lock plastic fitting and arc aluminium double-sided faceplate together.
3. Conglutinate transparency into arc aluminium double-sided faceplate.
4. Fix the dinished double-sided sign on the place where you need by screw.

Install explain(direct to wall):

1. Fix arc aluminium double-sided sign bottom and faceplate together.
2. Lock plastic fitting and arc aluminium double-sided faceplate together.
3. Conglutinate transparency into arc aluminium double-sided faceplate.
4. Fix the finished double-sided sign on the place where you need by screw.



Straight Flag Sign

Straight flag sign. Aluminium double sided flag wall. Mount any projected wall sign with screws. Complete kits. Includes:

- Aluminium double sided profile.
- Aluminium fittings.
- Plastic endcaps.

* Indoor use: corridors, office building, comercial centres, etc.

* Easy and quick to assemble.

Material: Aluminium, plastic parts.

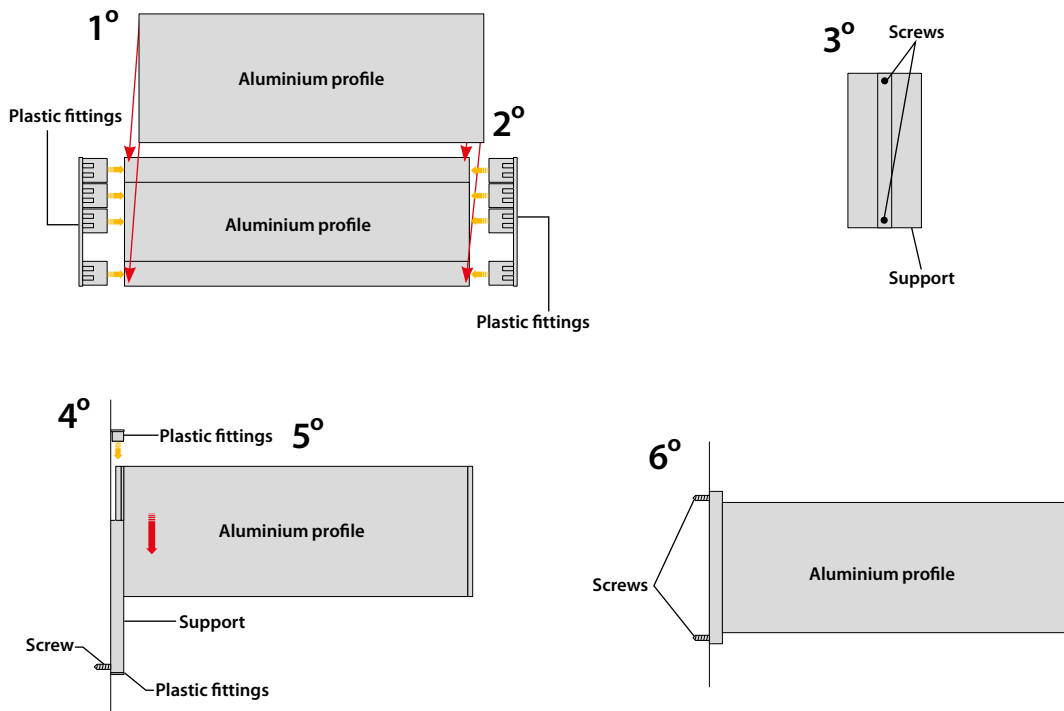


15.685	90x220mm	
15.686	90x320mm	
15.687	124x220mm	
15.688	124x320mm	
15.689	124x420mm	
15.690	150x150mm	
15.691	150x220mm	
15.692	150x320mm	
15.693	150x420mm	



Install explain:

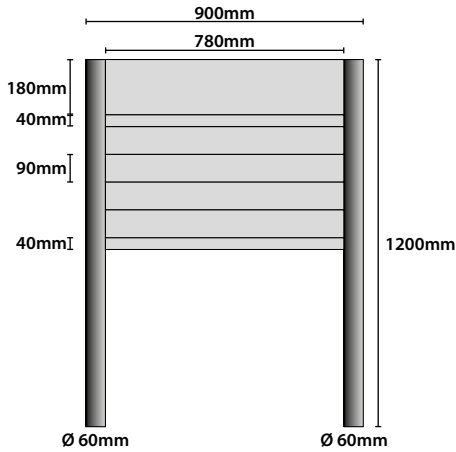
1. Fix straight aluminium double-sided profile.
2. Put the plastic endcaps.
3. Make two holes.
4. Fix and fasten the groove with the screws on the bottom part.
5. Introduce the profile in the support.
6. Screw the top part and put in the plastic endcaps.



Outdoor Sign

Consist in aluminium post fixed to the outdoor floor. Double side.
Outdoor use: warehouse, building, office, etc.

Material: Aluminium, plastic parts.

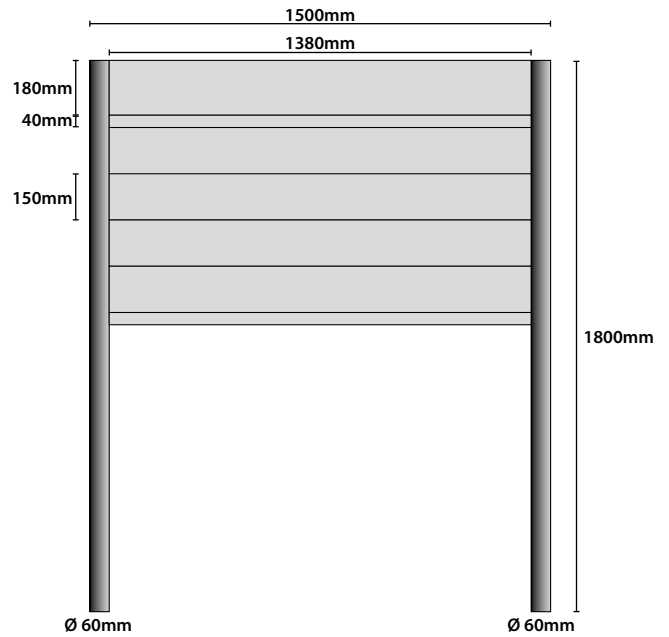


Includes:

- 2 aluminium post 1200mm x Ø 60mm.
- 2 plastic post endcaps.
- 1 aluminium profile 180mm wide.
- 2 aluminium profile 40mm wide.
- 4 aluminium profile 90mm wide.

15.716

900x1200mm



Includes:

- 2 aluminium post 1800mm x Ø 60mm.
- 2 plastic post endcaps.
- 1 aluminium profile 180mm wide.
- 2 aluminium profile 40mm wide.
- 4 aluminium profile 150mm wide.

15.717

1500x1800mm



Suspended Signs

Aluminium suspended signs. Double sided. Complete kits. Includes:

- Aluminium profile.
- Steel wire.
- Endcaps.

* Indoor use: corners, corridors, sections, office, etc.

* Easy and quick to assemble.

Material: Aluminium, steel wire, plastic parts.

15.673	90x500mm	
15.674	124x500mm	
15.675	124x650mm	
15.676	150x500mm	
15.677	150x650mm	



Desk Signs

Straight desk signs. Aluminium tabletop signs. Complete kits. Easy and fast to assemble. Includes:

- Aluminium metal alloy face plate.
- L-plastic fitting.
- Plastic endcaps.

* Indoor use: tabletop, desk counters, receptions, etc.

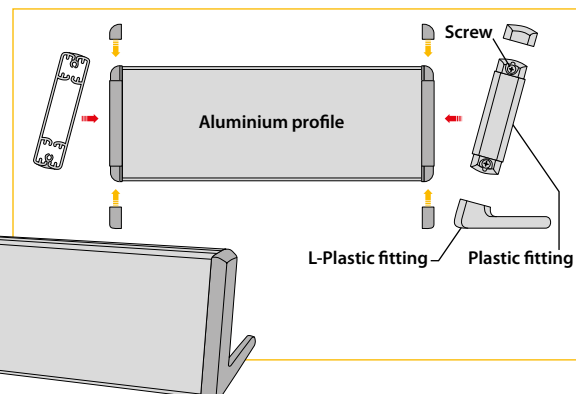
Material: Aluminium, plastic parts.

15.611	100x200mm	
15.612	100x250mm	
15.613	100x280mm	



Install explain:

1. Put aluminium faceplate fasten with screw.
2. Fix plastic fitting on the faceplate two side by screw.
3. Make the L-plastic fitting cover aluminium faceplate.



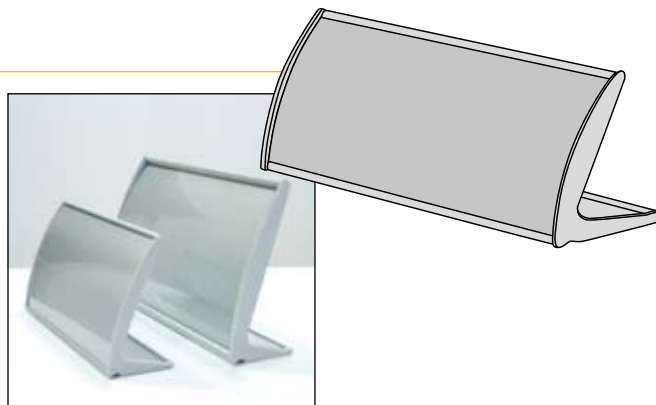
Curve Desk Sign

Curve desk sign. Aluminium tabletop signs. Complete kits. Easy and fast to assemble. Includes:

- Main faceplate/arc aluminium metal alloy.
- Transparent sleeve.
- Plastic fitting.

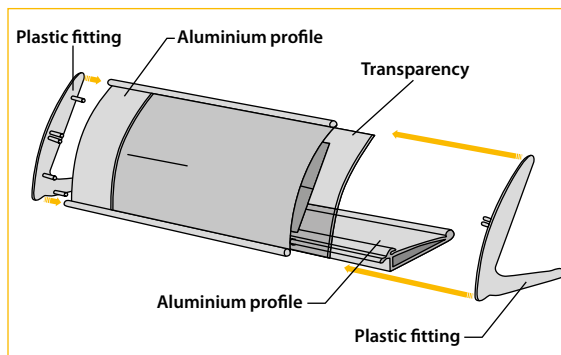
* Indoor use: Tabletop, desk, counters, receptions, etc.

Material: Aluminium, plastic parts.



Install explain:

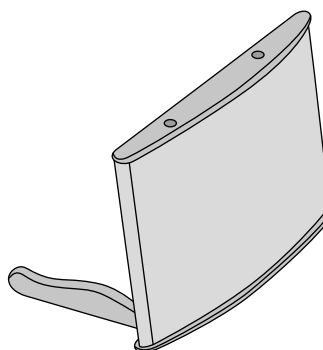
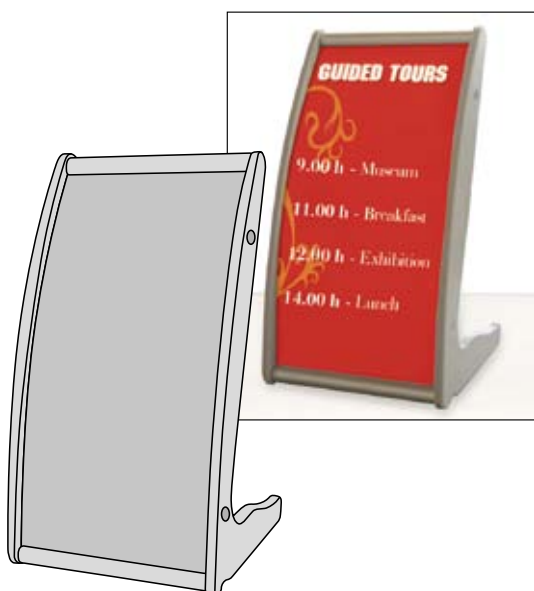
1. Conglutinate transparency to aluminium metal alloy faceplate.
2. Put left and right fittings together with aluminium metal alloy faceplate.
3. Hitch fitting and aluminium metal alloy faceplate together.



15.599	115x180mm	
15.600	115x200mm	
15.601	115x250mm	
15.602	115x350mm	
15.603	150x300mm	

Vertical

Horizontal



15.604	210x297mm	
15.605	210x200mm	
15.606	210x150mm	
15.607	210x100mm	

15.608	297x210mm	
15.609	150x210mm	
15.610	100x210mm	

Desk Sign Steel Support

Desk sign steel support. Gold or chrome finished. Includes two steel support.

* Indoor use: counters, desk receptions, etc.
* Easy and quick to assemble.

Material: Steel.



15.567	8x80mm	Pack 2 Uni.	<input type="text"/>
15.568	8x80mm	Pack 2 Uni.	<input type="text"/>
15.569	8x80mm	Pack 2 Uni.	<input type="text"/>
15.570	8x80mm	Pack 2 Uni.	<input type="text"/>



Wall Profile

Wall profile system. Easy and fast to assemble. One can simply open the front profile to change your documents. Two colours are available, silver or gold. Includes:

- Aluminium profile.
- Plastic endcaps.

* Indoor use: office, conference room, etc.

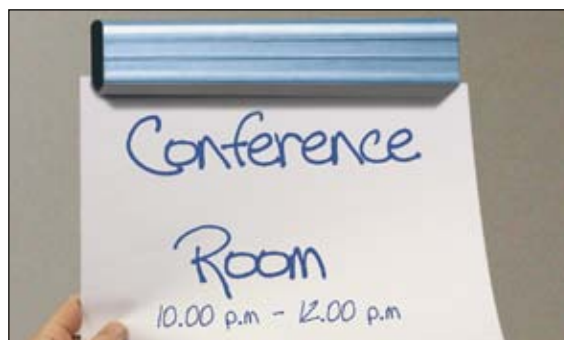
Material: Aluminium, plastic parts.



15.591	140mm	<input type="text"/>
15.592	290mm	<input type="text"/>
15.593	440mm	<input type="text"/>
15.594	890mm	<input type="text"/>

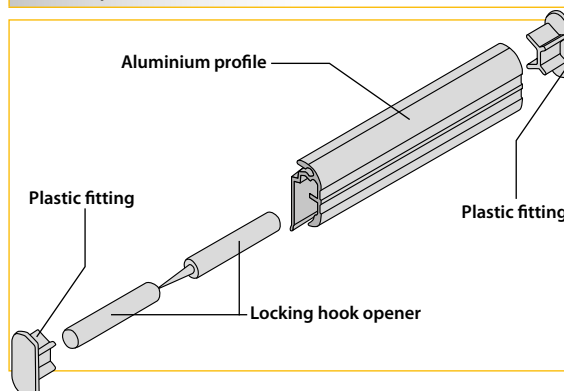


15.595	140mm	<input type="text"/>
15.596	290mm	<input type="text"/>
15.597	440mm	<input type="text"/>
15.598	890mm	<input type="text"/>



Install explain:

1. Connect one locking hook opener with other locking hook opener.
2. Put combined locking hook opener inside the aluminium profile.
3. Cover plastic in both side.



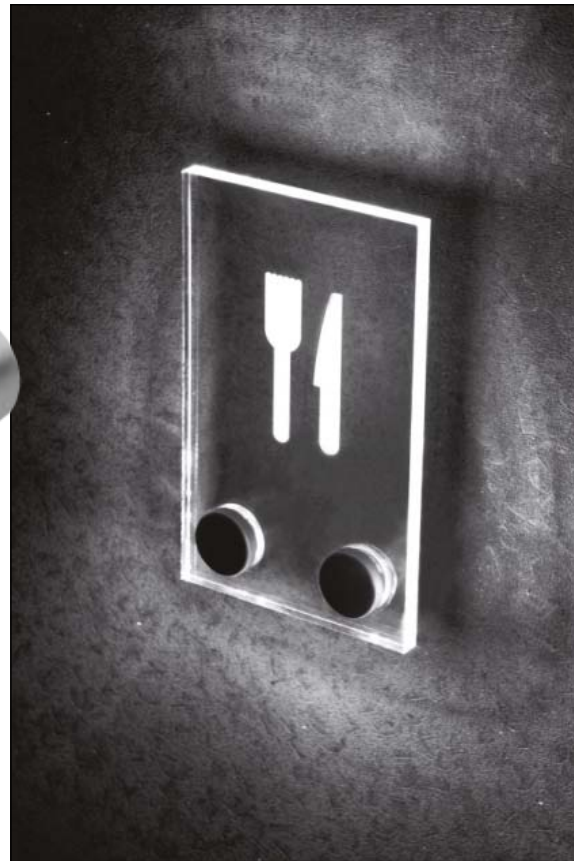
Wall Mount Aluminium Panel Support

Wall mount aluminium panel support for fixing signs. Colour: silver.

Includes:

- Stand-Offs with 6 LED bulbs.
- Power supply.
- Plug and wires.

Material: Aluminium.



15.724 25x25mm Pack 4 Uni.



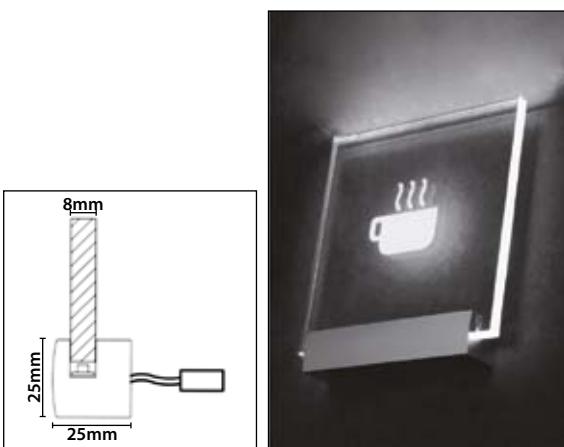
Sign System with LED Light

Sign system with LED lights. Includes:

- Aluminium satin profile.
- White colour LEDs inside.
- Power supply.
- Plug and wires.

Suitable for glass or acrylic up to 8mm of thickness.

Material: Aluminium.



15.725 120mm 9 LEDs



15.726 180mm 12 LEDs



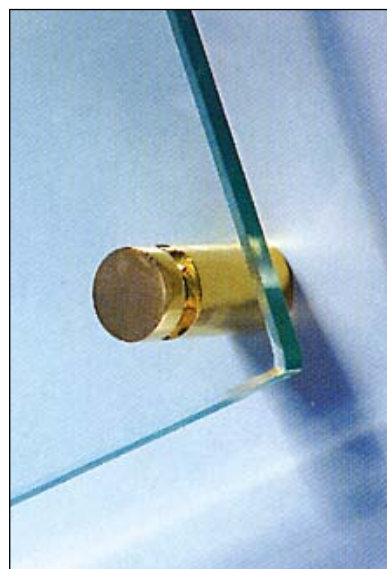
15.727 280mm 21 LEDs



Wallmount Panel Supports

Wallmount through hole panel supports. These wallmount panel support are available in gold or chrome colour. Use: indoor/outdoor.

Material: Steel.



Ø 13mm

15.500	13x13mm	Pack 4 Uni.	<input type="text"/>
15.501	13x19mm	Pack 4 Uni.	<input type="text"/>
15.502	13x25mm	Pack 4 Uni.	<input type="text"/>
15.503	13x40mm	Pack 4 Uni.	<input type="text"/>



15.504	13x13mm	Pack 4 Uni.	<input type="text"/>
15.505	13x19mm	Pack 4 Uni.	<input type="text"/>
15.506	13x25mm	Pack 4 Uni.	<input type="text"/>
15.507	13x40mm	Pack 4 Uni.	<input type="text"/>



Ø 19mm

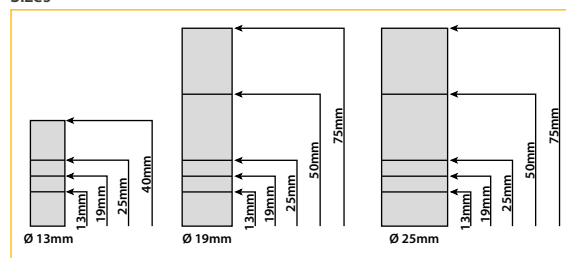
15.508	19x13mm	Pack 4 Uni.	<input type="text"/>
15.509	19x19mm	Pack 4 Uni.	<input type="text"/>
15.510	19x25mm	Pack 4 Uni.	<input type="text"/>
15.511	19x50mm	Pack 4 Uni.	<input type="text"/>
15.512	19x75mm	Pack 4 Uni.	<input type="text"/>



15.513	19x13mm	Pack 4 Uni.	<input type="text"/>
15.514	19x19mm	Pack 4 Uni.	<input type="text"/>
15.515	19x25mm	Pack 4 Uni.	<input type="text"/>
15.516	19x50mm	Pack 4 Uni.	<input type="text"/>
15.517	19x75mm	Pack 4 Uni.	<input type="text"/>



Sizes



Ø 25mm

15.518	25x13mm	Pack 4 Uni.	<input type="text"/>
15.519	25x19mm	Pack 4 Uni.	<input type="text"/>
15.520	25x25mm	Pack 4 Uni.	<input type="text"/>
15.521	25x50mm	Pack 4 Uni.	<input type="text"/>
15.522	25x75mm	Pack 4 Uni.	<input type="text"/>



15.523	25x13mm	Pack 4 Uni.	<input type="text"/>
15.524	25x19mm	Pack 4 Uni.	<input type="text"/>
15.525	25x25mm	Pack 4 Uni.	<input type="text"/>
15.526	25x50mm	Pack 4 Uni.	<input type="text"/>
15.527	25x75mm	Pack 4 Uni.	<input type="text"/>



WALLMOUNT PANEL SUPPORTS

10

Wallmount Aluminium Panel Supports

These wallmount panel support are available in a range of finisher to complement your display. Available in different colours. Use: indoor/outdoor.

Material: Aluminium.



Ø 13mm

15.528

15.532

15.536

15.540 13x13mm Pack 4 Uni.

15.529

15.533

15.537

15.541 13x19mm Pack 4 Uni.

Ø 19mm

15.530

15.534

15.538

15.542 19x25mm Pack 4 Uni.

Ø 25mm

15.531

15.535

15.539

15.543 25x30mm Pack 4 Uni.

Screw Covers

Attractive screw covers, without distances. Different cover sizes are available. Indoor/outdoor use.

Material: Steel.

15.544	Ø 15mm	Pack 4 Uni.	<input type="text"/>
15.545	Ø 19mm	Pack 4 Uni.	<input type="text"/>
15.546	Ø 25mm	Pack 4 Uni.	<input type="text"/>



15.547	Ø 15mm	Pack 4 Uni.	<input type="text"/>
15.548	Ø 19mm	Pack 4 Uni.	<input type="text"/>
15.549	Ø 25mm	Pack 4 Uni.	<input type="text"/>

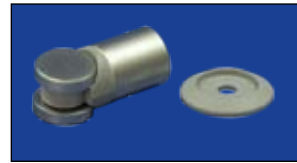
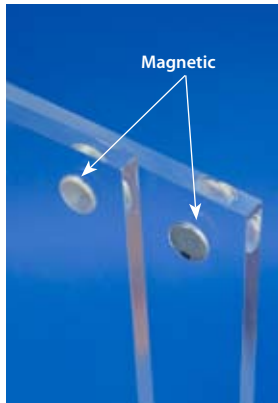
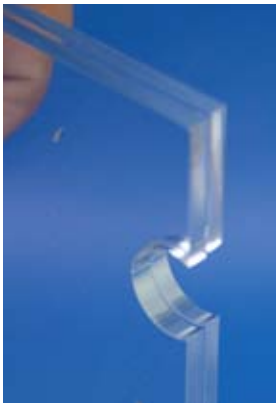


Glass System Sign

Acrylic System sign. Includes two acrylic 3mm. thickness. Easy and quick to assemble. Indoor use : office, building, shops, etc.

Material: Acrylic and aluminium.

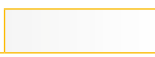
15.203	297x120mm		
15.204	120x297mm		
15.205	210x297mm		
15.206	210x210mm		



Acrylic Data Frame

Versatile and simple sign system made in acrylic. Easy and quick to assemble. Indoor use : office, building, shops, etc.

Material: Acrylic.

15.208	66x66mm	
15.207	199x66mm	



Ref. 15.207



Ref. 15.208

PANEL SUPPORT

10

Panel Support


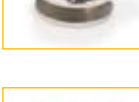


Panel support for up to 12mm or 9.5mm thick. Chrome or gold colour.

Material: Steel.





15.558	35x35mm	12mm	Pack 4 Uni.	<input type="text"/>	
15.560	25x25mm	9.5mm	Pack 4 Uni.	<input type="text"/>	
15.559	35x35mm	12mm	Pack 4 Uni.	<input type="text"/>	
15.561	25x25mm	9.5mm	Pack 4 Uni.	<input type="text"/>	



15.554	30mm	7.5mm	Pack 2 Uni.	<input type="text"/>	
15.555	50mm	9.5mm	Pack 2 Uni.	<input type="text"/>	
15.556	30mm	7.5mm	Pack 2 Uni.	<input type="text"/>	
15.557	50mm	9.5mm	Pack 2 Uni.	<input type="text"/>	





15.562	80x28mm		Pack 4 Uni.	<input type="text"/>	
15.563	50x25mm		Pack 4 Uni.	<input type="text"/>	

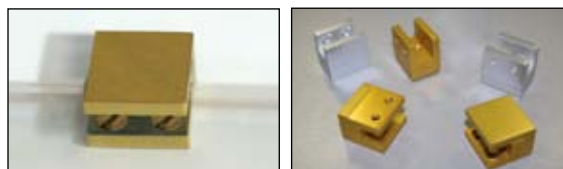


"Square" Side Grip

These fixing are mounted at the side. They hold materials up to 10mm thick on the vertical or horizontal edge. Chrome or gold colour. For indoor and outdoor use.

Material: Steel.

15.564	25x25mm	Pack 4 Uni.	<input type="text"/>	
15.565	25x25mm	Pack 4 Uni.	<input type="text"/>	



Side Grip

These fixing are mounted at the side. The materials, like glass, mirrors, leaded glass or another can easily mounted on the wall without drilling any holes. They hold material up to 8 to 10mm thick. For indoor and outdoor use.

Material: Steel.

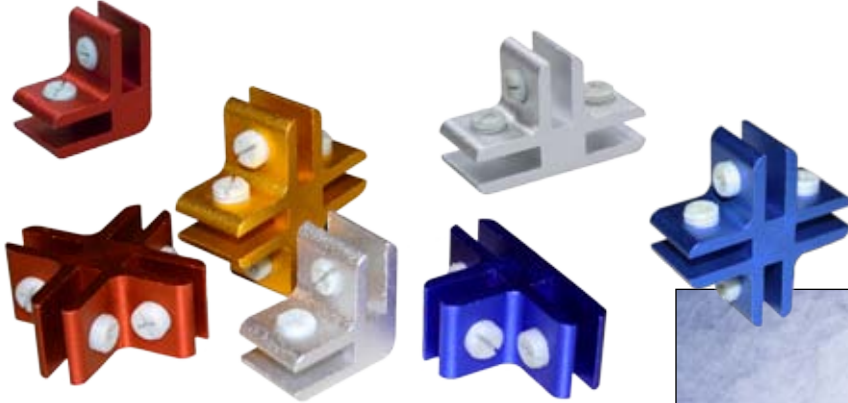
15.550	20x25mm	Pack 4 Uni.	<input type="checkbox"/>	
15.551	20x30mm	Pack 4 Uni.	<input type="checkbox"/>	
15.552	20x25mm	Pack 4 Uni.	<input type="checkbox"/>	
15.553	20x30mm	Pack 4 Uni.	<input type="checkbox"/>	

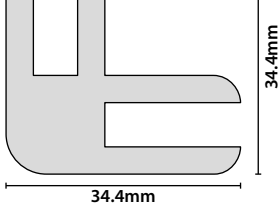


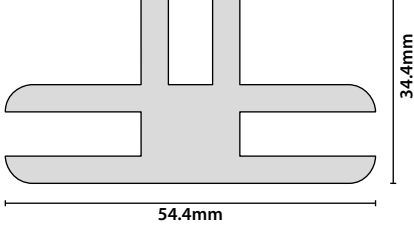
Cube System

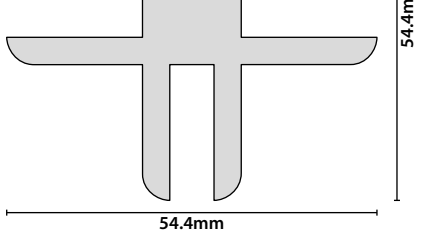
Panel connector. This range of connectors for 6mm. glass panels is ideal for use where goods need to be promoted and presented in an attractive way. Includes 4 units in each pack. Available in different colours.

Material: Steel.



15.182	<input type="checkbox"/>	Pack 4 Uni.	<input type="checkbox"/>	
15.183	<input type="checkbox"/>			
15.184	<input type="checkbox"/>			
15.185	<input type="checkbox"/>			
15.186	<input type="checkbox"/>			

15.187	<input type="checkbox"/>	Pack 4 Uni.	<input type="checkbox"/>	
15.188	<input type="checkbox"/>			
15.189	<input type="checkbox"/>			
15.190	<input type="checkbox"/>			
15.191	<input type="checkbox"/>			

15.192	<input type="checkbox"/>	Pack 4 Uni.	<input type="checkbox"/>	
15.193	<input type="checkbox"/>			
15.194	<input type="checkbox"/>			
15.195	<input type="checkbox"/>			
15.196	<input type="checkbox"/>			